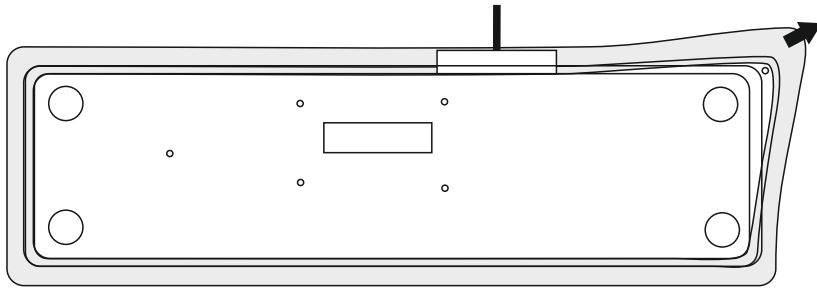
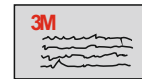
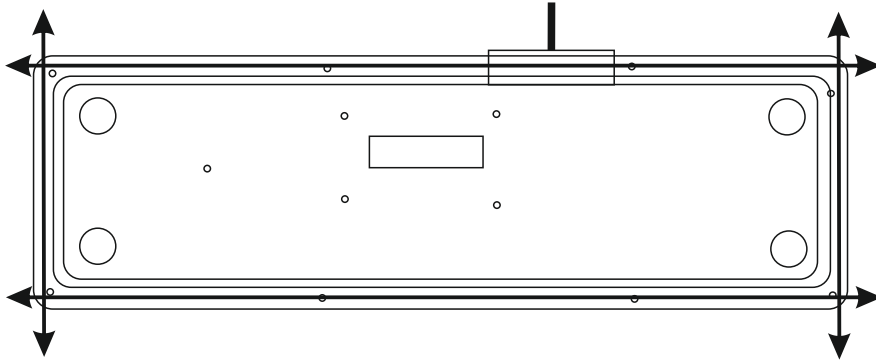


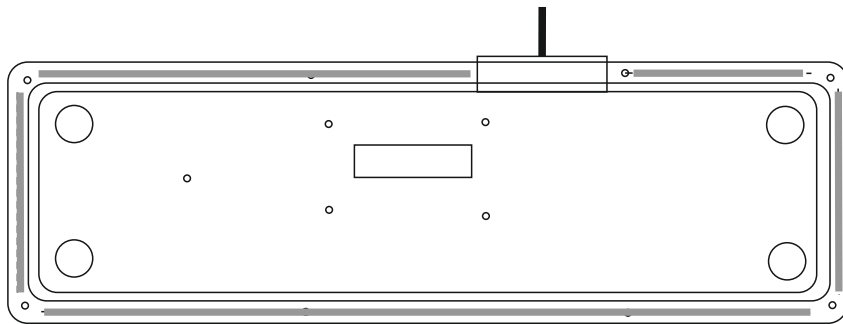
Silicone cover replacement instructions



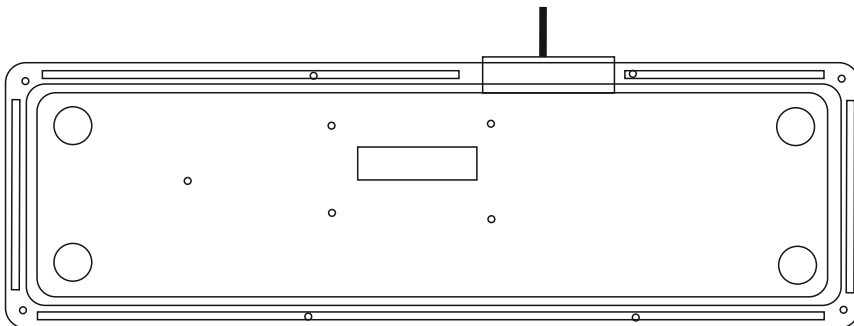
- remove existing cover, starting at a corner



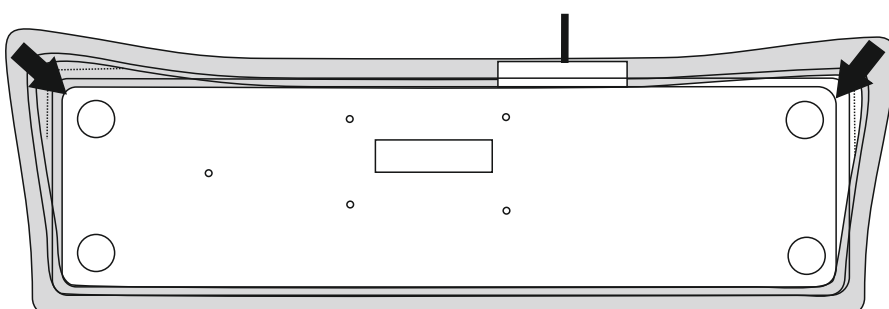
- remove old tape if present and clean surface with 3M towel



-remove paper liner and stick tape to keyboard on indicated positions



-remove clear liner from tape



-put on new silicone cover and press silicone ridge in groove of keyboard