

# USER MANUAL

## Purekeys wireless keyboards

**Compact model:** K103EN-RF    **FCC ID:** 2AELMK103ENRF1

**Full size model:** PK-KRF-01    **FCC ID:** 2AELMPKKRF01

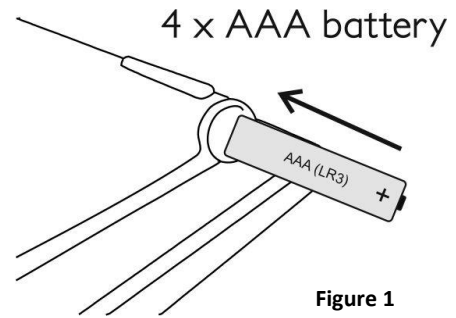


Figure 1

1. **Insert Batteries:** Insert 4 AAA (1.5V alkaline) batteries as shown in Figure 1, ensuring correct polarity.
2. **Connect USB Dongle:** Start your PC and insert the USB dongle into a free USB port.
3. **Driver Installation:** It may take a few minutes for the drivers to install automatically.
4. **Plug-and-Play:** The keyboard works with Windows PCs; no additional drivers are required.
5. **Battery Save Mode:**
  - Enabled by default (LEDs for Num Lock, Caps Lock, and Scroll Lock are off).
  - To turn battery save mode on/off, hold **CTRL + ALT + L** for 6 seconds. LEDs will turn off after 10 minutes of inactivity and become active again when typing resumes.

## Cleaning Instructions

The silicone cover is designed for quick and thorough cleaning with hospital-grade disinfectants, including 70% alcohol.

1. **Activate cleaning mode:**
  - Press the **'key lock'** button, the light indicator will turn on, indicating that the keyboard is in cleaning mode. The keyboard is now disabled to prevent unintended inputs.
2. **Clean the keyboard:**
  - Use your preferred disinfectant solution to clean the surface.
3. **Reactivate the keyboard:**
  - Press the **'key lock'** button again to exit cleaning mode. The light indicator will turn off, and the keyboard will be ready for use.

## Compliance

Purekeys declares that this product complies with the essential requirements and other relevant provisions of the European Regulation 2004/108/EC.

The micro USB port behind the left plug is only for factory debugging, not for customer use.

## Responsible Party

Purekeys BV

Egersundweg 2 E, 9723 JM Groningen, Netherlands

Phone: +31507210810

Email: info@purekeys.com

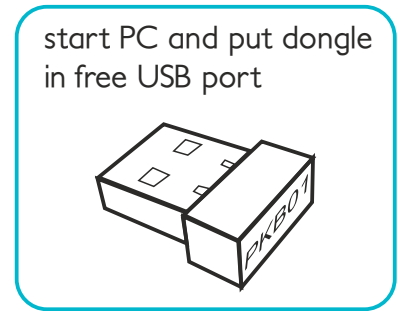
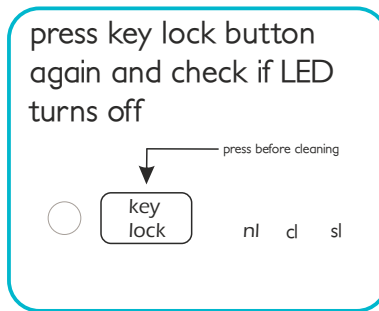
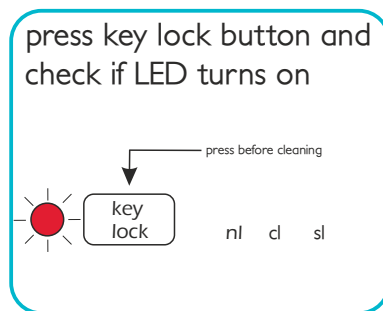
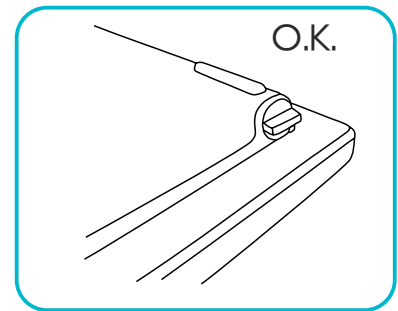
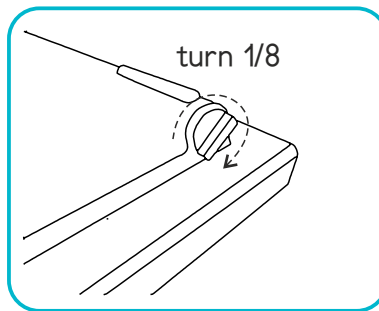
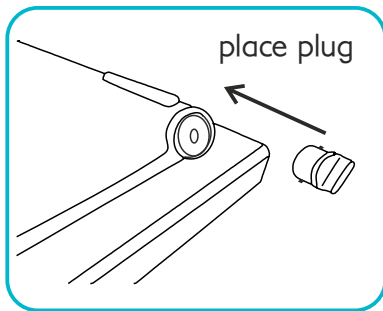
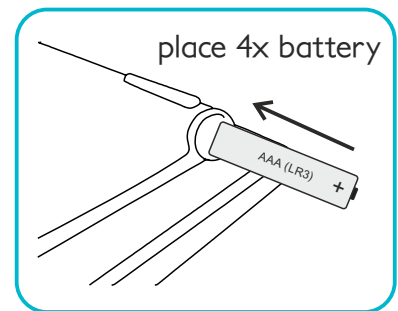
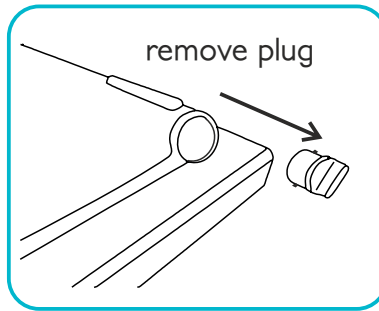
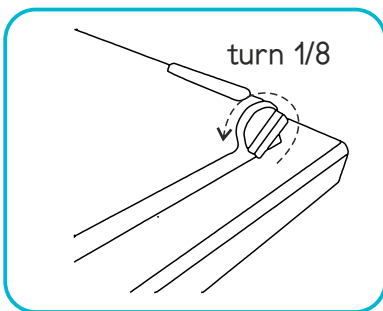
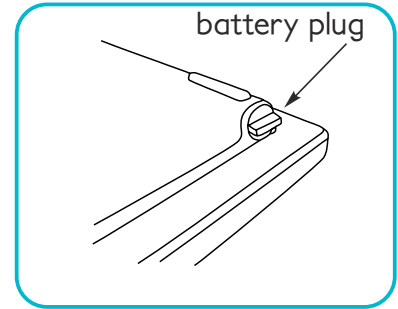
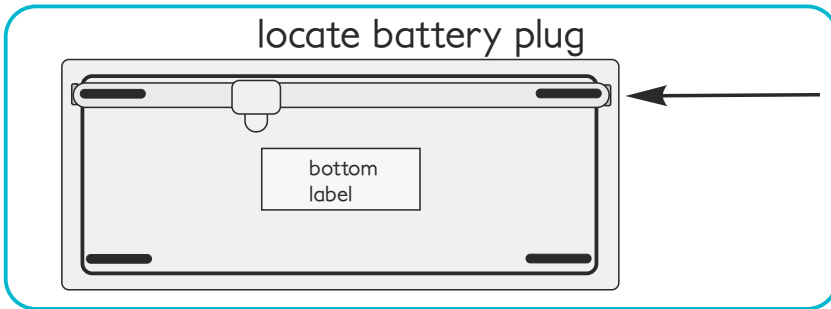
**This device complies with Part 15 of the FCC rules. Operation is subject to the following two conditions:**

- 1) this device may not cause harmful interference, and
- 2) this device must accept any interference received, including interference that may cause undesired operation.

Note: This equipment has been tested and found to comply with the limits for a Class B digital device, pursuant to part 15 of the FCC Rules. These limits are designed to provide reasonable protection against harmful interference in a residential installation. This equipment generates, uses and can radiate radio frequency energy and, if not installed and used in accordance with the instructions, may cause harmful interference to radio communications. However, there is no guarantee that interference will not occur in a particular installation. If this equipment does cause harmful interference to radio or television reception, which can be determined by turning the equipment off and on, the user is encouraged to try to correct the interference by one or more of the following measures:

- Reorient or relocate the receiving antenna.
  - Increase the separation between the equipment and receiver.
  - Connect the equipment into an outlet on a circuit different from that to which the receiver is connected.
  - Consult the dealer or an experienced radio/TV technician for help.
- changes or modifications not expressly approved by the party responsible for compliance could void your authority to operate the equipment.

# Wireless keyboard quick installation guide



Installation will start automatically and may take 1 minute. If any problems occur, read user manual or check FAQ on [www.purekeys.com](http://www.purekeys.com)